



## SLI24 Series

### 24W, SINGLE OUTPUT DIN-RAIL POWER SUPPLIES

SLI24 is a series of DIN-Rail green power supplies with high efficiency and excellent price/performance ratio provided by SCHMID-M. This series provide stability and high immunity against electrical disturbance for loads in industrial process controls, machine tools and other equipment exposed to a difficult industrial environment. Compact size, light weight, standard Din Rail installation (35mm) and other features of these power supplies, which saves a lot of space for your design. Build-in large capacitor provides for you enough hold-up time.



### PRODUCT FEATURES

- Standard Din Rail installation
- AC and DC all in one (input from the same terminal)
- Universal input voltage: 90~264VAC
- Output voltage adjustable
- Low ripple & noise
- Input under voltage lockout
- Overload and short-circuit protection
- Efficiency: 85% (Typ)
- Heat dissipation: natural
- Switching frequency: 60kHz
- MTBF>300,000 hours
- Meet product standards of industrial class
- Redundancy Module



### PRODUCT PROGRAM

Model	Output power	Input voltage range	Output voltage	Output current	Ripple & noise (Typ)	Efficiency (% Typ)
SLI24-10B05	24W	100 ~ 240VAC (90 ~ 264VAC) 50/60Hz	5V	4±0.1 A	50mV	75
SLI24-10B12			12VA	2±0.1A		85
SLI24-10B24			24V	1±0.05A		87

Note:

- Ripple and Noise were measured by a method with twisted-pair wires;
- Unless otherwise specified, all specifications above are measured at rated input voltage and rated output load, TA=25°C, humidity < 75%;
- All specifications stated in this datasheet are subject to the above listed models only. For specifications of non-standard models, please contact our technical support team directly.

### GENERAL SPECIFICATIONS

Temperature ranges	operating: storage: power derating above 55°C: (SLI24-10B05 derating above 50°C)	-25°C ~ +70°C (max) -25°C ~ +85°C (max) 3.75% /°C
humidity		95% (max)
Temperature coefficient		0.02%/°C
Switching frequency		60kHz
Isolation voltage	Input/Output	3000VAC
MTBF		300,000h @ 25°C
EMI		EN55022, level B    FCC Part 15, level B
EMS	--- Electrostatic discharge ESD --- RF field susceptibility --- Electrical fast transients/bursts on mainsline --- Surge	IEC/EN 61000-4-2    4kV/8kV IEC/EN 61000-4-3    3V/m IEC/EN 61000-4-4    1kV IEC/EN 61000-4-5 level 3    1kV/2kV
Safety standards		UL60950, IEC60950, EN60950
Safety approval		UL60950, IEC60950, EN60950
Safety class		Class 1
Case protection		IP 20
Mounting		35mm DIN-Rail
Package		114X99.5X22.5mm

### INPUT SPECIFICATIONS

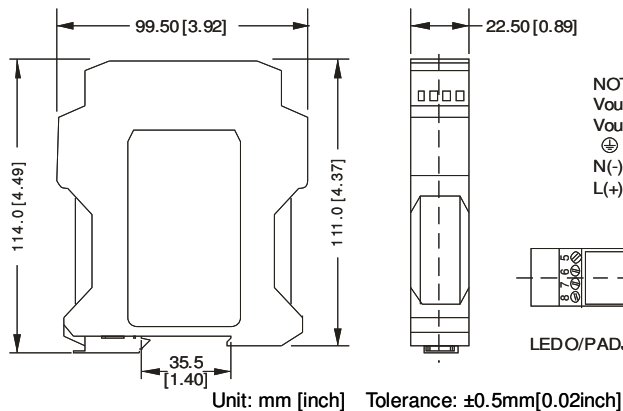
Input voltage range	100~240VAC (90~264VAC) 14 ~340VDC (120~370VDC)
---------------------	---

Input frequency	47~63Hz	
Input current(full load)	115VAC 450mA	230VAC 220mA
Inrush(<2ms)	115VAC 16A	230VAC 30A
Input under voltage lockout	80VAC (±10%)	
Input under voltage return difference	≤20VAC	
External fuse(recommended)	3.15A/250V slow blow	

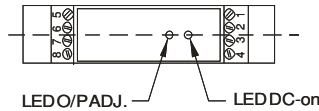
## OUTPUT SPECIFICATIONS

Output voltage	SLI24-10B05 SLI24-10B12 SLI24-10B24	Regulate range(typ) 5.0~5.5VDC 12~14VDC 24~28VDC
Voltage set accuracy		±2%
Input variation		±0.5%
Load variation (10% - 90%)		±1%
Output ripple & noise(peak-peak)	20MHz Bandwidth	50mV (Typ)      100mV (Max)
Short circuit protection		Continuous and auto resume
Over current protection	SLI24-10B05 SLI24-10B12 SLI24-10B24	4.4A (typ) 2.4A (typ) 1.3A (typ)
Over voltage protection	SLI24-10B05 SLI24-10B12 SLI24-10B24	6.5V (max) 20V (max) 30V (max)
Hold-up time	Vin=230Vac	80ms (typ)

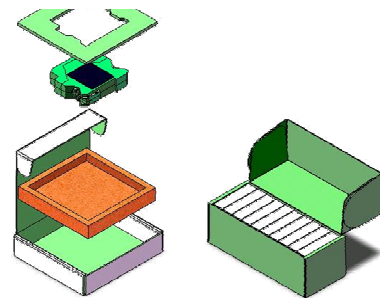
## OUTLINE DIMENSIONS



NOTE:  
Vout+ (1,2)  
Vout- (3,4)  
⊕ (5,6)  
N(-) (7)  
L(+) (8)

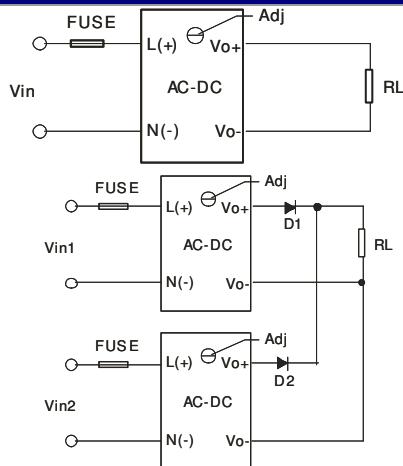


## PACKAGING DIAGRAM



Inside box: L\*W\*H=165\*155\*40mm  
Outside box: L\*W\*H=425\*175\*160mm  
Packaging Quantity:  
Inside box:1pcs      Outside box:10pcs

## TYPICAL APPLICATION



### General Application

1. Vin: 90 - 264VAC or 120 - 370VDC;
2. Adj: Adjusting terminal of output voltage. Users can adjust any load freely within the range of output voltage according to your own need.

### Parallel connection Application

1. Two same Din Rail power supplies are in use of parallel connection application, Vin1 and Vin2 are both 90-264VAC or 120-370VDC;
2. Adj: Adjusting terminal of output voltage. Users can adjust any load freely within the range of output voltage according to your own need.
3. When AC-DC2's output voltage is a little lower than AC-DC1's, AC-DC2 is becoming a spare power supply for load, as Vin1 is off or AC-DC1 is in fault.
4. When Vin1 and Vin2 are supplying power to Din Rail power supply alternately, Din Rail power supply will work alternately and supply power to load sostenuto.